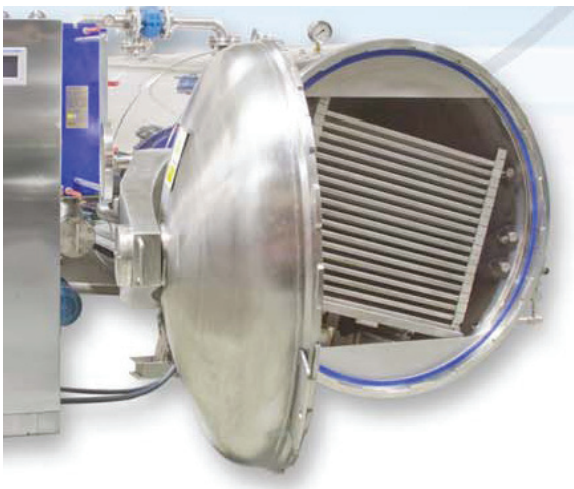


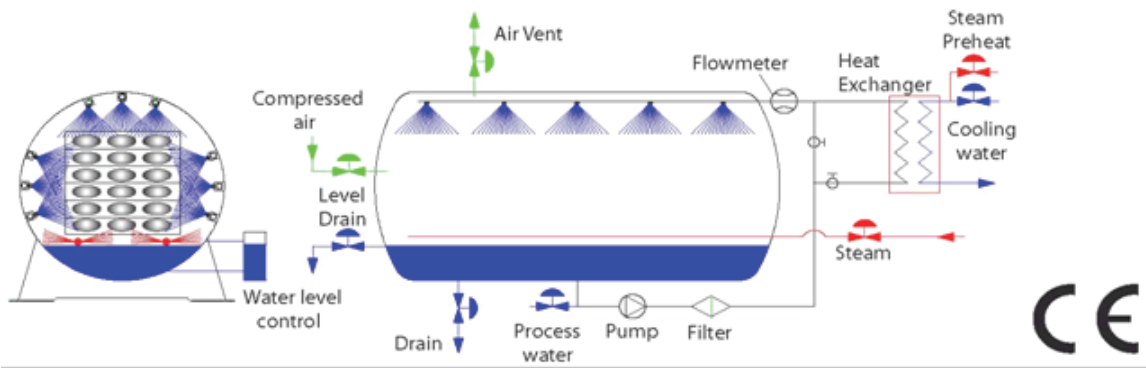


BATCH THERMAL PROCESSING SYSTEMS HIGH CAPACITY FOR FOODS IN RIGID AND FLEXIBLE CONTAINERS

- Oscillation motion accelerates heat penetration and improves temperature distribution
- Agitation during heat treatment reduces process time and provides more homogeneous products
- Utilizes gravity to provide a gentle but effective product agitation without stress on packaging and equipment
- Optimum heat treatment for sensitive packaging made of flexible materials and printed surfaces
- Oscillation speed and range can be varied depending on product requirements
- Minimum steam and water consumption
- Reduced maintenance and equipment costs compared to end-over-end rotary retorts

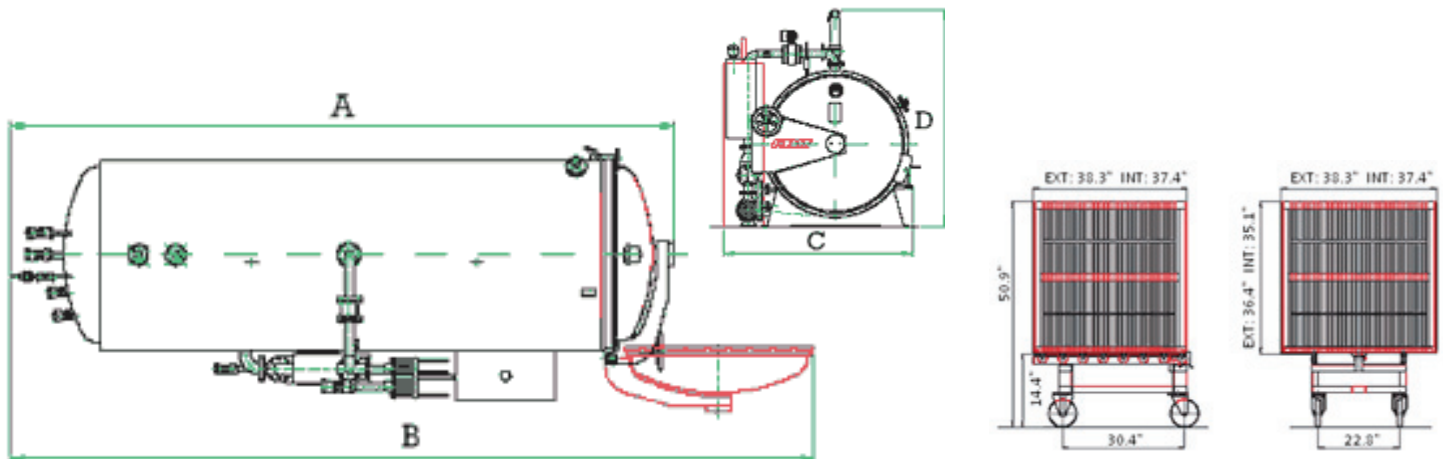


- Vessel, piping, and heat exchanger in stainless steel construction
- Insulated shell with mirror polished, stainless steel cladding
- Top shower for cans and glass jars plus side shower for pouches and trays
- Indirect cooling system by heat exchanger allows water recovery
- Optimum temperature distribution ($\pm 1^{\circ}\text{F}$) and accurate pressure control (± 1 psig)
- Optional Second door for “pass through” operation
- Includes FDA accepted ICON^{LE} Control System with optional ICON^{RMS} Control System Upgrade



Technical Specifications:

Types	AO-142	AO-144	AO-146
Length "A" (ft) Door Closed	12.01	19.10	25.73
Length "B" (ft) Door Open	15.71	22.84	28.52
Width "C" (mm/ft)	1400/6.31	1400/6.31	1400/6.31
Height "D" (ft)	7.47	7.47	7.47
Capacity (Number of baskets/sets of trays)	2	4	6
Weight (Empty Retort) (lbs)	5,071	7,220	10,362
Weight (Loaded Retort) (lbs)	8,267	13,614	19,952
Installed Power (hp)	6.4	12.7	18.5
Steam Consumption (lbs/batch)	397	763	1,135
Water Consumption (gal/batch)	819	1,638	2,457
Air Consumption (cubic ft./batch)	153.6	195.5	276
Maximum Service Temperature (°F)	302	302	302
Maximum Service Pressure (psi)	72.5	72.5	72.5
Steam Supply Pressure (psi)	72.5 - 87	72.5 - 87	72.5 - 87
Water Supply Pressure (psi)	43.5 - 72.5	43.5 - 72.5	43.5 - 72.5



1806 Garner Station Blvd
 Raleigh NC 27603
 Ph: 919.661.1911 Fax: 919.661.3778
 www.stockamerica.com

STOCK America Inc.

© 2011 STOCK America Inc.