



APR-95-SV (Multi-Mode)

VERSATILE R&D STERILIZERS FOR PRODUCT & PACKAGING VALIDATION

APR-95 (Rotary)



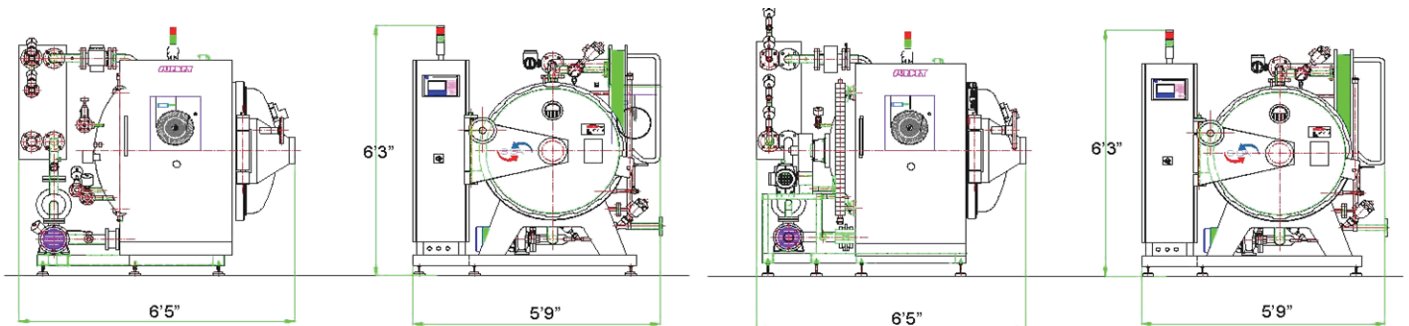
AP-95 (Static)



- Testing of pasteurization, sterilization and cooking of food products in any type of container
- Capable of simulating all typical commercial process modes
- Static, rotary and oscillating modes available
- View window with light for package inspection during process
- Standard with FDA accepted ICON^{LE} control system
- Optional ICON^{RMS} control system upgrade

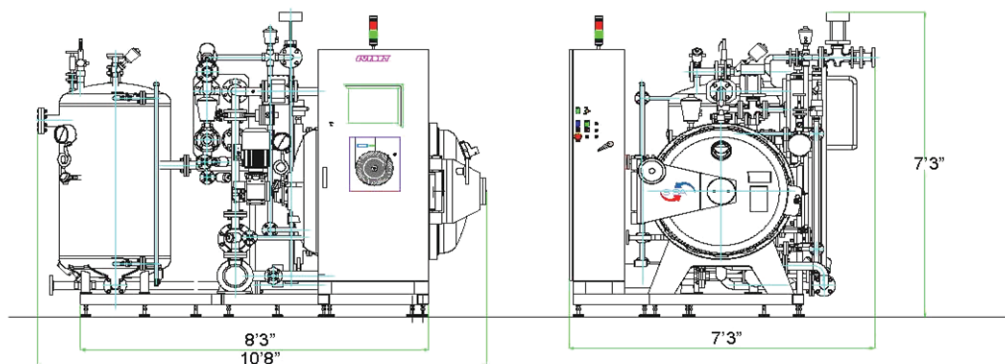
Technical Specifications:

Types	AP-95	APR-95	APR-95-SV
Tray Size	23.6" x 29.5"	20.7" x 18.7"	20.7" x 18.7"
Number of trays	11	9	9
Weight (empty retort) (lbs)	1,985	2,645	4,400
Installed power (hp)	3.6	5	9.5
Steam consumption (lbs/batch)	79.4	70.5	145
Water consumption (gal/batch)	105	105	165
Air consumption (cu. ft./batch)	25.6	29.2	29.2
Maximum service temperature (°F)	302	302	302
Maximum service pressure (psi)	72.5	72.5	72.5
Steam supply pressure (psi)	72.5 - 87	72.5 - 87	72.5 - 87
Water supply pressure (psi)	43.5 - 72.5	43.5 - 72.5	43.5 - 72.5



AP-95 (SWS STATIC)

APR-95 (SWS ROTARY)



APR-95-SV (MULTI-MODE)



1806 Garner Station Blvd
 Raleigh NC 27603
 Ph: 919.661.1911 Fax: 919.661.3778
 www.stockamerica.com

STOCK America Inc.

© 2011 STOCK America Inc.